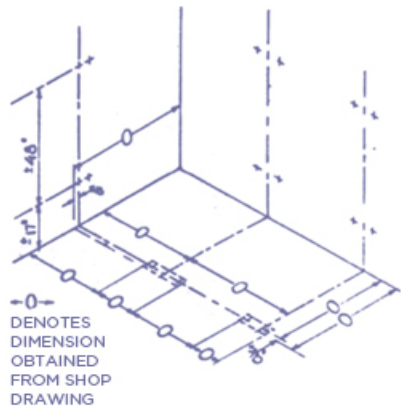
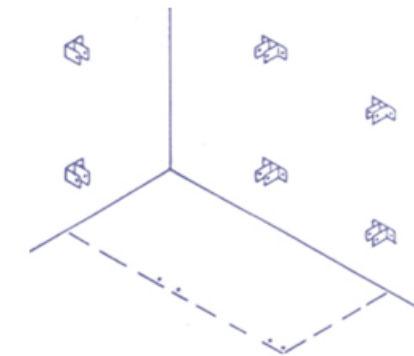


INSTRUCTIONS



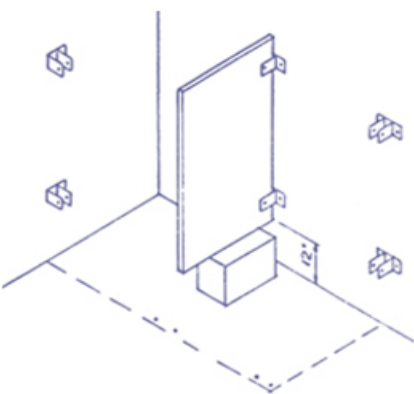
LAYOUT (Fig. 1)

1. Establish and mark center of pilaster location from back wall. Measure out at each end of installation.
2. Establish and mark center lines of all top and bottom wall brackets. If possible locate in mortar joints.
3. From side wall and center of pilaster location, measure dimensions for floor fastening according to shop drawings end mark. Center line of floor fastenings to be located 1 1/8" in from each edge of pilaster.
4. Mark all bracket holes to be drilled using brackets as drilling templates
5. Drill 5/16" holes for wall brackets.
6. Drill holes for floor fastenings. 5/16" for Flushite. 1/2" for Flushart.



WALL BRACKETS (Fig. 2)

1. Insert plastic anchors into all holes.
2. Secure wall brackets with #12 x 1 1/2" sheet metal screws.

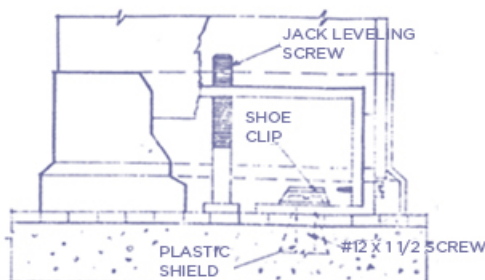


POSITION PANEL (Fig. 3)

1. Place some type of support (12" high) in position to hold panel.
2. Set panel on support and into wall brackets. Do not fasten panel to wall brackets.

ATTACH PILASTER (Fig. 4)

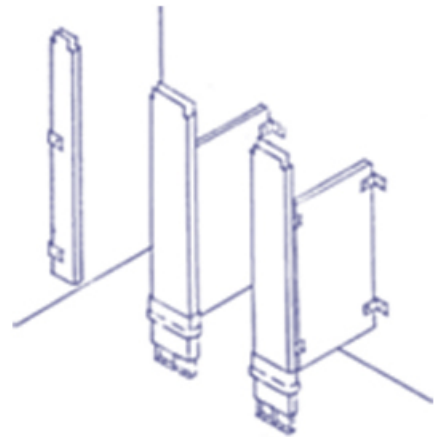
1. Place plastic anchors into floor holes.
2. Over each floor anchor, place in the following order (1) shoe clip, and (1) "L" bracket and fasten into anchor with a #12 x 1 1/2 Philips head sheet metal screw.
3. Fasten "U" brackets to pilasters at pre-drilled locations with one, #14 x 5/8 Philips Head sheet metal screws
4. Put stainless steel shoe on pilaster.
5. Place pilaster over "L" brackets. Fasten with one #14 x 5/8 PH sheet metal screws at each side.
6. Fasten "U" brackets to panel at predrilled locations with #14 x 5/8" PH. sheet metal screws.
7. Plumb pilaster, place wedge at top rear between panel and wall. Remove panel support.
8. Repeat for each pilaster.



INSTRUCTIONS (continued)

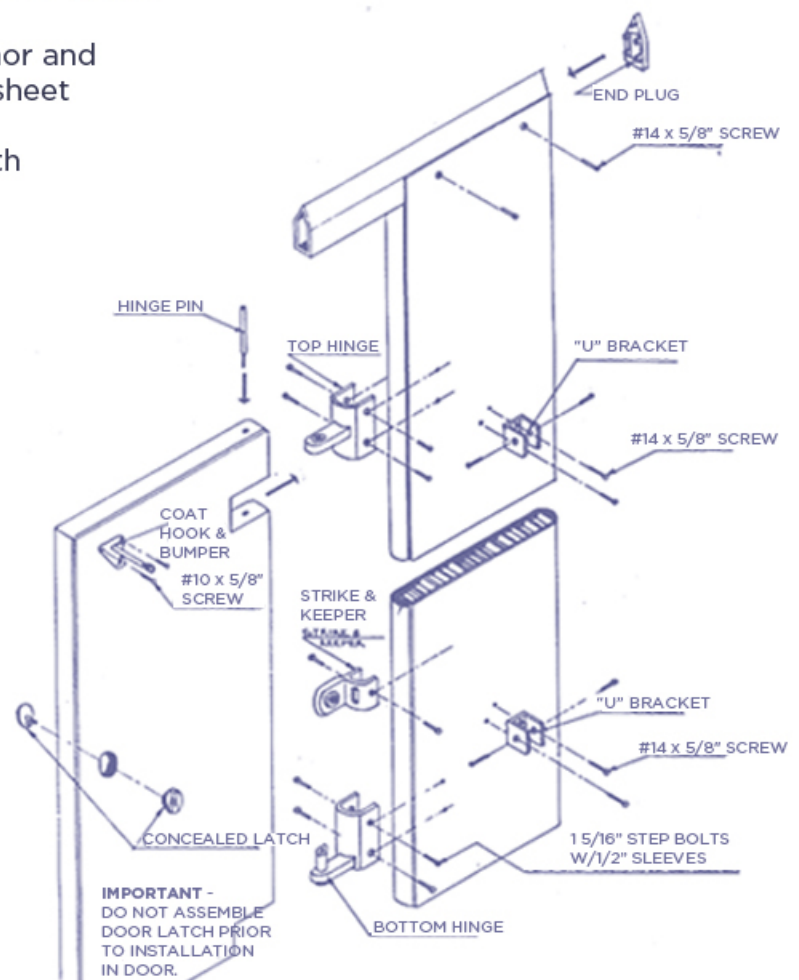
SET DOOR OPENINGS (Fig. 5)

1. Position wall pilaster - plumb and secure.
2. Using wall pilaster as reference point, position each pilaster to required door opening and secure.
3. Drill 11/64" holes and secure panels to wall bracket with #14 x 5/8" sheet metal screws.



HEADRAIL AND HEADRAIL BRACKETS (Fig. 6)

1. Level headrail in notched slots on pilasters from one compartment to the next. Tighten height adjustment screws at bottoms of pilasters.
2. Drill 11/64" holes and fasten headrail to pilasters with #14 x 5/8" sheet metal screws.
3. Drill 11/64" holes and attach "U" bracket to end pilaster with #11 x 1 1/2" sheet metal screws.
4. Drill 5/16" holes in wall - insert plastic anchor and secure headrail wall bracket with #12x 1 1/2" sheet metal screws.
5. Place headrail into brackets and secure with #14 x 5/8" sheet metal screw.



HANG DOORS AND ACCESSORIES

1. Refer to Fig. 1 for hanging of doors and attachment of accessories.
2. Touch up as required.