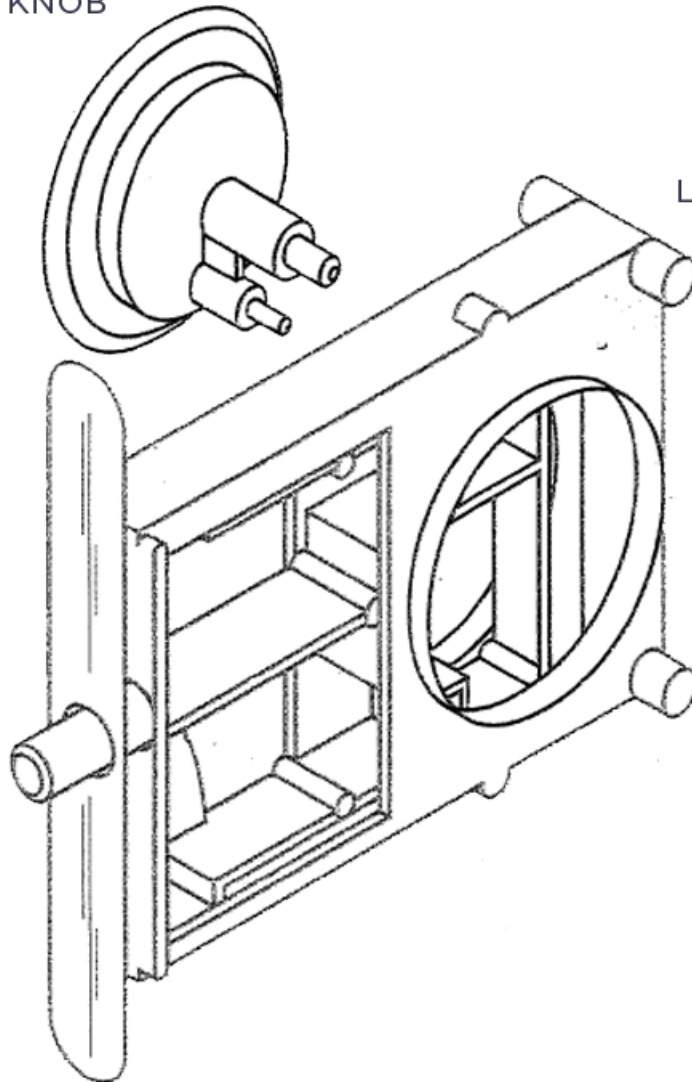


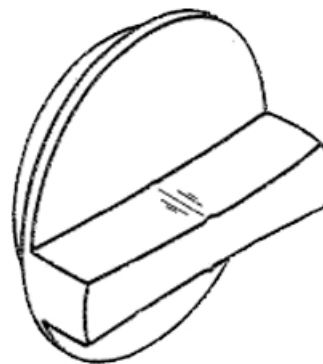
## INSTRUCTIONS FOR 6140, 6148, 6150, 6158 CONCEALED LATCHES

MALE KNOB



LATCH HOUSING

FEMALE KNOB



FEMALE KNOB  
(ADA)



1. Insert Male Knob on outside of door through Latch Housing.
2. Align Holes & Pins and insert Female Knob on inside of door.
3. Engage both knobs completely (they will not come apart).

REMOVAL - To remove latch, drill 3/8" diameter hole through center of female knob (inside) 5/8" deep. Pull knob set apart.